

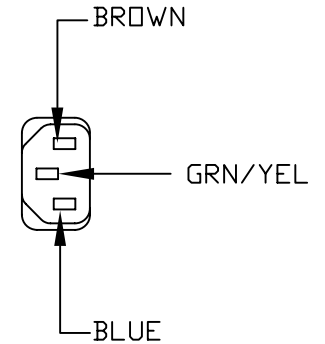
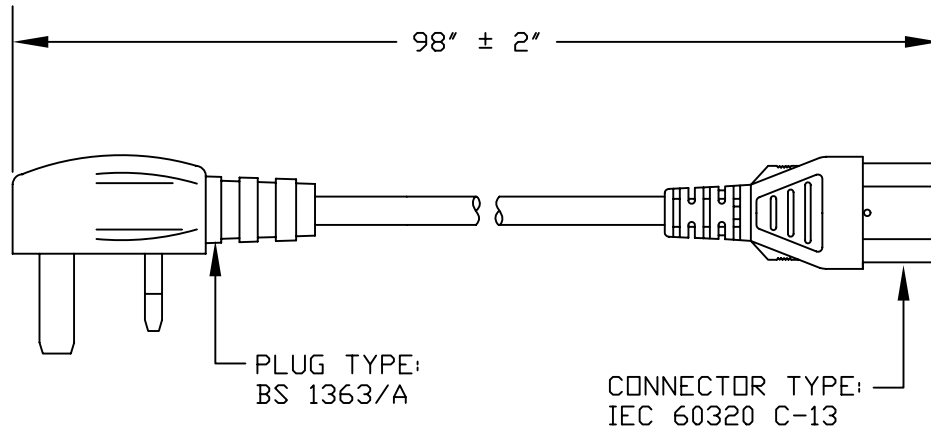
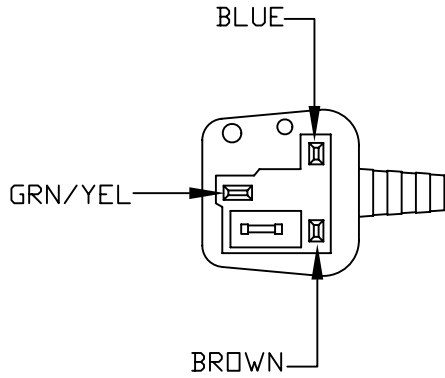


VOLEX

GROUP

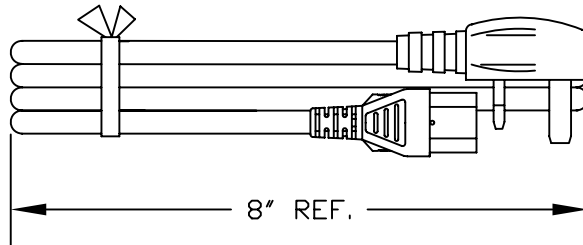
Standard Cord Details: 2104H 10 C3

Specifications	
Certifications	Test Report
Part Number	2104H 10 C3
Connector Type	C13
Plug Type	3 pins
Category	Plastic
Application	Detachable
Plug Catalog No.	MP5004
Connector Catalog No.	V1625
Cable	H05VV-F 3x1.00
Jacket Color	Black
Length in Feet	8.2'
Length in Meters	2.5
Temperature Rating	60C
Packaging Units Per Carton	B-50
Color Coding	
Nominal OD in Inches	
Nominal OD in Millimeters	
Notes	British Style 4. UK. See also 17962 and 17964. See 2103H for cord without connector.



VOLEX RESERVES THE RIGHT TO ALTER NON-CRITICAL DIMENSIONS WITHOUT NOTICE.

PACKAGING: FOLD & TIE



NOTES:

- 1) CORDAGE: H05VV-F3G 1.0sq.mm. AWM2598 (DUAL RATED)/BLACK.
- 2) APPROVALS:
- 3) RATING: 10 AMP/250 VOLTS
- 4) CORDAGE O.D.: .273 (REF.)
- 5) PACKAGING: 50 PIECES/CARTON
- 6) ALL DIMENSIONS IN inches.

3	REDRAWN SHOWING LATEST CONNECTOR	11/15/07
2	FORMAT UPDATE	08/17/04
1	C.U.D - NEW RELEASE	06/08/04
REV	DESCRIPTION	DATE



FORM IN71-07 REV.A

- Indianapolis, IN
- Conover, N.C.
- Fremont, CA
- Aguascalientes, MX
- Tijuana, Mexico
- Hermosillo, MX
- Clinton, AR
- Kanata, Canada

Proprietary Notice:

This document is the property of Volex Incorporated. The information contained herein is not to be disclosed to anyone without the express written consent of Volex Inc.

MATERIAL:
PLUG: PVC-BLACK
JACKET: PVC-BLACK
LEAD FREE

FINISH:
JACKET: SMOOTH

SCALE:
NOT TO SCALE

ECD:
N/A

ITEM DESCRIPTION:
CORDSET - BRITISH
DETACHABLE POWER SUPPLY CORD (8')

TOLERANCE UNLESS OTHERWISE SPECIFIED
.XXX ± .005
.XX ± .02
.X ± .03
FRACT. ± 1/32
ANGULAR ± 1/2°

APPROVED CR	DRAWN BY ARK	DATE: 06/08/04
-----------------------	------------------------	--------------------------

PART NO.
2104H 10 C3